

# Data Sheet

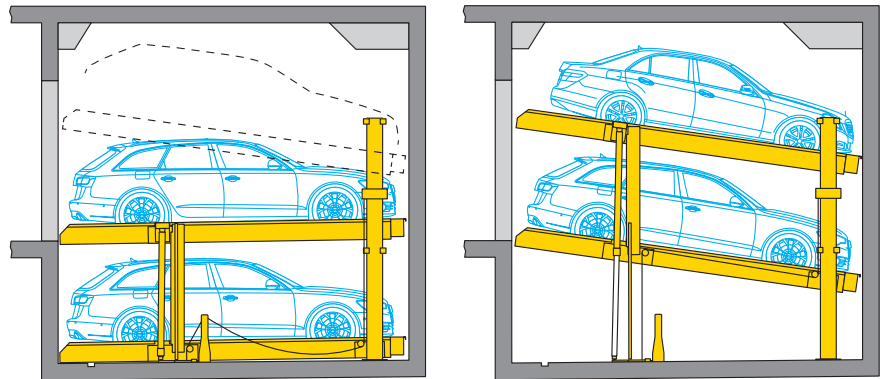
## WÖHR PARKLIFT 405



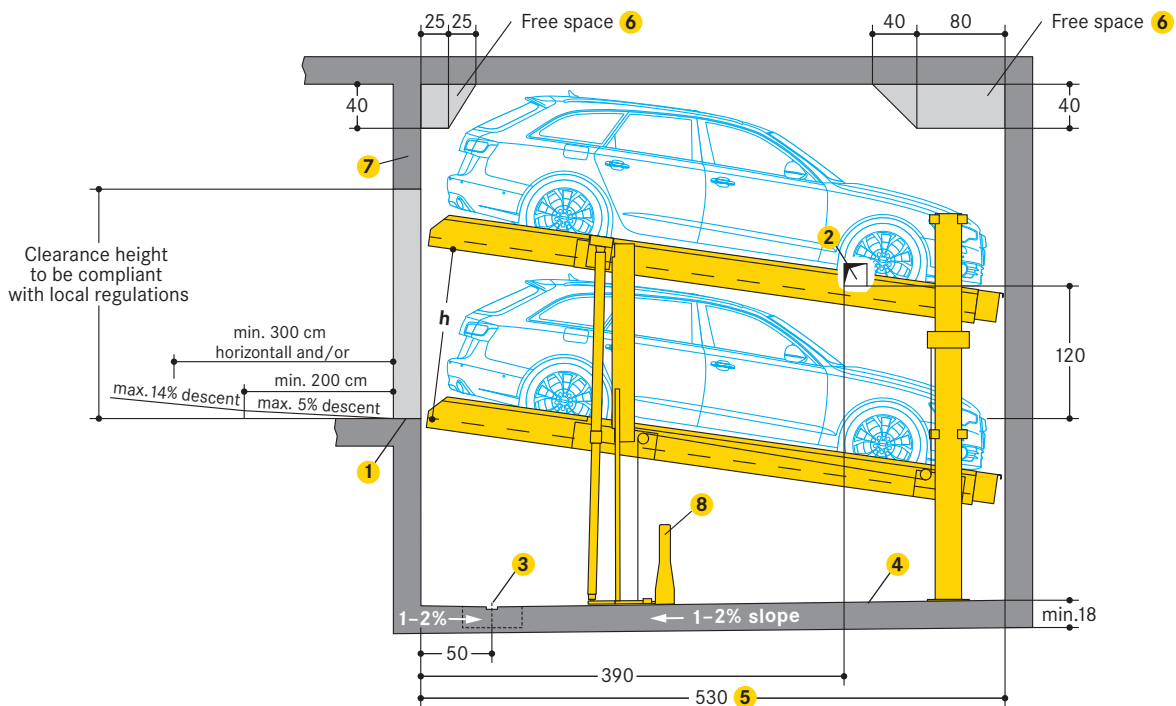
- **Single units: 2 cars**  
**Double units: 4 cars**

- **Platform load options:**
  - max. 2000 kg, load per wheel 500 kg
  - max. 2600 kg, load per wheel 650 kg

- **Platform slopes for drive-on:**
    - upper level: 1° = 2% ascent
    - lower level: 8° = 14% descent
- Platform slope of the top platform help drainage



- **Length dimensions underground car park (height dimensions see page 2)**



- 1 Yellow-black safety marking:
  - compliant to ISO 3864, 10 cm wide, along the pit edges (see page 4 »Static calculations and construction works requirements«)
- 2 In case of intermediate walls:
  - 15 x 15 cm opening for electric and hydraulic system cables and piping
  - after installation, do not close the opening
- 3 Recommended drainage channels:
  - 10 x 2 cm, with a 50 x 50 x 20 cm drainage pit
  - in case of installation of a sump pump, it is necessary to comply with the drainage pit dimensions specified by the pump manufacturer
- 4 Channels or undercuts/concrete haunches:
  - not allowed along the pit floor-to-wall joints
  - should channels or undercuts be necessary, the system width needs to be reduced or the pit needs to be wider

- 5 500 cm vehicle length = 530 cm pit length
  - for longer vehicles: vehicle length + 30 cm safety distance = pit length (pit length max. 550 cm)

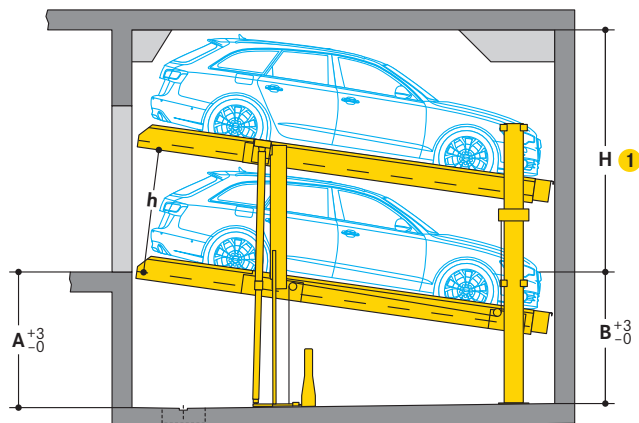
- 6 Free spaces for any connections performed by the customer:
  - please ask WÖHR for the dimension sheets

- 7 Lintel
- 8 Chain tensioner

### ■ Dimensions

- all dimensions specified are the minimum, finished dimensions
- tolerances must be taken into consideration
- all dimensions are given in cm

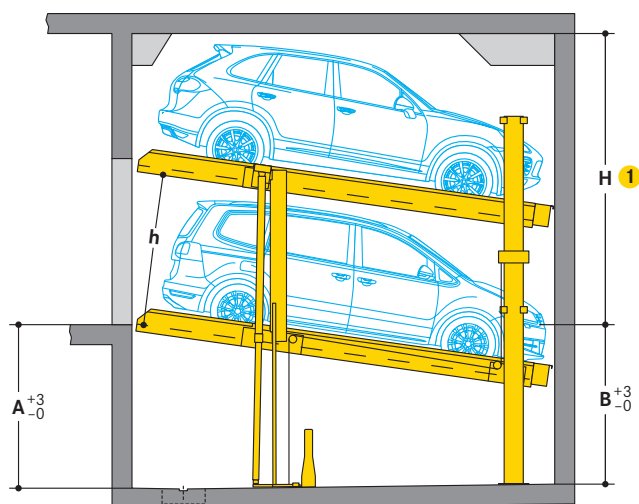
**Height dimensions Standard type**



- 1 With an increase in headroom available, correspondingly taller cars will be able to park on the upper platform.
- 2 UL= upper level / LL = lower level  
L = Limousine / S = Station wagon

Type	Height (H) 1	Pit depth		Vehicle height 2		Platform distance (h)
		A	B	UL	LL	
405-170	290	170	165	only L: 150	L+S: 150	155
	300	170	165	L+S: 150	L+S: 150	155
405-175	295	175	170	only L: 150	L+S: 155	160
	300	175	170	only L: 155	L+S: 155	160
	305	175	170	S: 150 L: 160	L+S: 155	160
405-180	310	175	170	L+S: 155	L+S: 155	160
	300	180	175	only L: 150	L+S: 160	165
	310	180	175	S: 150 L: 160	L+S: 160	165
405-185	320	180	175	L+S: 160	L+S: 160	165
	305	185	180	only L: 150	L+S: 165	170
	315	185	180	S: 150 L: 160	L+S: 165	170
	320	185	180	S: 155 L: 165	L+S: 165	170
405-190	330	185	180	L+S: 165	L+S: 165	170
	310	190	185	only L: 150	L+S: 170	175
	320	190	185	S: 150 L: 160	L+S: 170	175
	330	190	185	only L: 170	L+S: 170	175
405-195	340	190	185	L+S: 170	L+S: 170	175
	315	195	190	only L: 150	L+S: 175	180
	325	195	190	S: 150 L: 160	L+S: 175	180
	340	195	190	only L: 175	L+S: 175	180
405-200	350	195	190	L+S: 175	L+S: 175	180
	320	200	195	only L: 150	L+S: 180	185
	330	200	195	S: 150 L: 160	L+S: 180	185
	350	200	195	S: 170 L: 180	L+S: 180	185
	360	200	195	L+S: 180	L+S: 180	185

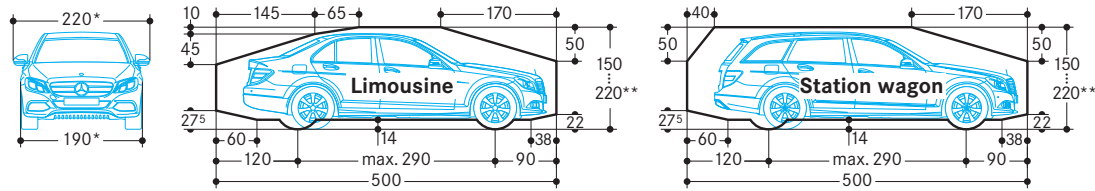
**Height dimensions Premium type**



- 1 With an increase in headroom available, correspondingly taller cars will be able to park on the upper platform.
- 2 UL= upper level / LL = lower level  
L = Limousine / S = Station wagon

Type	Height (H) 1	Pit depth		Vehicle height 2		Platform distance (h)
		A	B	UL	LL	
405-205	335	205	200	L+S: 150	L+S: 185	190
	350	205	200	L+S: 165	L+S: 185	190
	360	205	200	L+S: 175	L+S: 185	190
	370	205	200	L+S: 185	L+S: 185	190
405-210	340	210	205	L+S: 150	L+S: 190	195
	365	210	205	L+S: 175	L+S: 190	195
	375	210	205	L+S: 185	L+S: 190	195
405-215	380	210	205	L+S: 190	L+S: 190	195
	345	215	210	L+S: 150	L+S: 195	200
	375	215	210	L+S: 180	L+S: 195	200
	385	215	210	L+S: 190	L+S: 195	200
405-220	390	215	210	L+S: 195	L+S: 195	200
	350	220	215	L+S: 150	L+S: 200	205
	385	220	215	L+S: 185	L+S: 200	205
	395	220	215	L+S: 195	L+S: 200	205
405-225	400	220	215	L+S: 200	L+S: 200	205
	355	225	220	L+S: 150	L+S: 205	210
	395	225	220	L+S: 190	L+S: 205	210
	405	225	220	L+S: 200	L+S: 205	210
405-230	410	225	220	L+S: 205	L+S: 205	210
	360	230	225	L+S: 150	L+S: 210	215
	405	230	225	L+S: 195	L+S: 210	215
	415	230	225	L+S: 205	L+S: 210	215
405-235	420	230	225	L+S: 210	L+S: 210	215
	365	235	230	L+S: 150	L+S: 215	220
	415	235	230	L+S: 200	L+S: 215	220
	425	235	230	L+S: 210	L+S: 215	220
405-240	430	235	230	L+S: 215	L+S: 215	220
	370	240	235	L+S: 150	L+S: 220	225
	425	240	235	L+S: 205	L+S: 220	225
	435	240	235	L+S: 215	L+S: 220	225
	440	240	235	L+S: 220	L+S: 220	225

**Clearance profile (for standard vehicles)**



\* for a 250 cm platform width  
 \*\* The overall vehicle height including roof luggage rails and antenna mounts must not exceed the max. vehicle height dimensions specified

**Width dimensions**

Platform widths:

- 250 cm (single units), 500 cm (double units):  
 - for 190 cm vehicle width (without outside mirror)
- 260-270 cm (single units), 520-540 cm (double units):  
 - for vehicles wider than 190 cm (without outside mirror)  
 - for units with intermediate walls  
 - for units at the end of the driving aisle

For comfortable parking, entry and exit conditions platform widths upon 250 cm are recommended. Reduced platform width means reduced parking comfort depending on the vehicle width, vehicle type, individual driving style, access situation of the garage.

**Width dimensions (underground car park)**

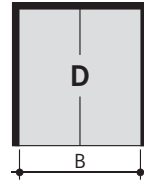
**Intermediate walls**

Single unit (2 cars)



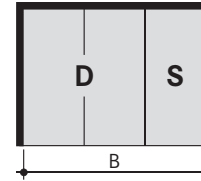
Space requirements	clear platform width
B	S
260	230
270	240
<b>280</b>	<b>250</b>
<b>290</b>	<b>260</b>
<b>300</b>	<b>270</b>

Double unit (4 cars)



Space requirements	clear platform width
B	D
490	460
510	480
<b>530</b>	<b>500</b>
<b>550</b>	<b>520</b>
<b>570</b>	<b>540</b>

Combined unit (6 cars)



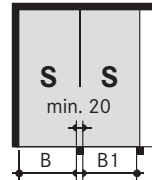
Space requirements	clear platform width
B	D S
750	460 + 230
780	480 + 240
<b>810</b>	<b>500 + 250</b>
<b>840</b>	<b>520 + 260</b>
<b>870</b>	<b>540 + 270</b>

The driving aisle width must comply with local regulations

It is possible to combine different widths

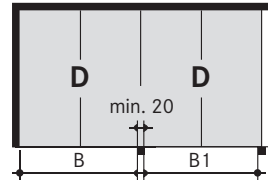
**Columns external to the pit**

Single unit (2 cars)



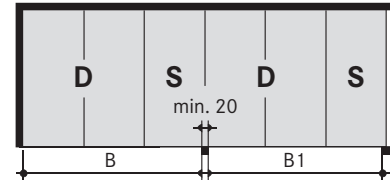
Space requirements	clear platform width	
wall-column B	column-column B1	S
250	240	230
260	250	240
<b>270</b>	<b>260</b>	<b>250</b>
<b>280</b>	<b>270</b>	<b>260</b>
<b>290</b>	<b>280</b>	<b>270</b>

Double unit (4 cars)



Space requirements	clear platform width	
wall-column B	column-column B1	D
480	470	460
500	490	480
<b>520</b>	<b>510</b>	<b>500</b>
<b>540</b>	<b>530</b>	<b>520</b>
<b>560</b>	<b>550</b>	<b>540</b>

Combined unit (6 cars)



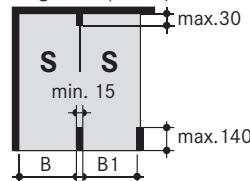
Space requirements	clear platform width	
wall-column B	column-column B1	D S
740	730	460 + 230
770	760	480 + 240
<b>800</b>	<b>790</b>	<b>500 + 250</b>
<b>830</b>	<b>820</b>	<b>520 + 260</b>
<b>860</b>	<b>850</b>	<b>540 + 270</b>

The driving aisle width must comply with local regulations

It is possible to combine different widths

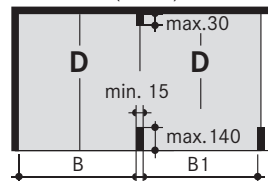
**Columns in the pit**

Single unit (2 cars)



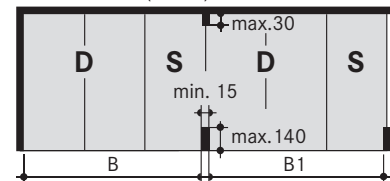
Space requirements	clear platform width	
wall-column B	column-column B1	S
255	245	230
265	255	240
<b>275</b>	<b>265</b>	<b>250</b>
<b>285</b>	<b>275</b>	<b>260</b>
<b>295</b>	<b>285</b>	<b>270</b>

Double unit (4 cars)



Space requirements	clear platform width	
wall-column B	column-column B1	D
485	475	460
505	495	480
<b>525</b>	<b>515</b>	<b>500</b>
<b>545</b>	<b>535</b>	<b>520</b>
<b>565</b>	<b>555</b>	<b>540</b>

Combined unit (6 cars)

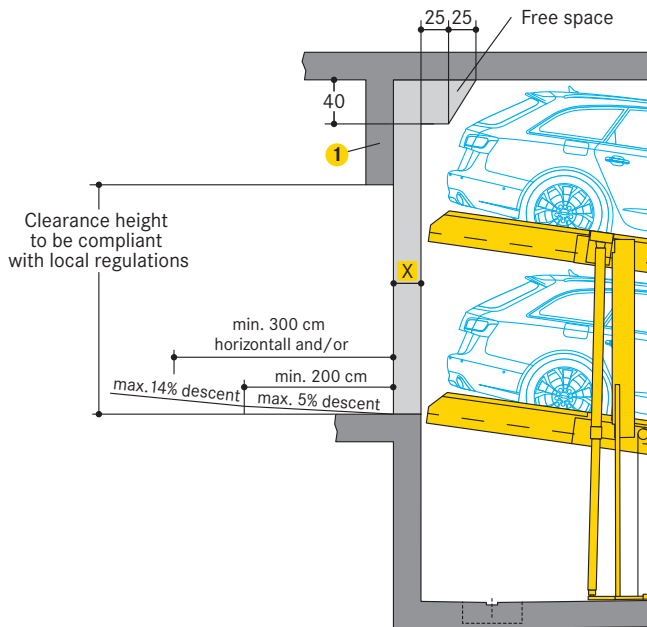


Space requirements	clear platform width	
wall-column B	column-column B1	D S
745	735	460 + 230
775	765	480 + 240
<b>805</b>	<b>795</b>	<b>500 + 250</b>
<b>835</b>	<b>825</b>	<b>520 + 260</b>
<b>865</b>	<b>855</b>	<b>540 + 270</b>

The driving aisle width must comply with local regulations

It is possible to combine different widths

**Garages with doors**

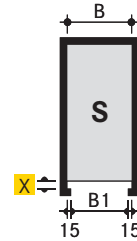


**1** Lintel

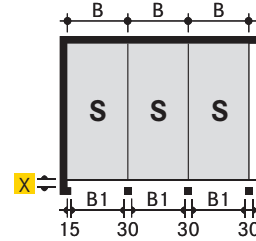
**X** = 10/15 cm for roller shutters

Dimension X to be defined by customer with the door supplier.

Single unit (2 cars)

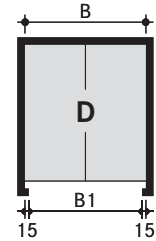


Garage rows with single doors (2 cars each)

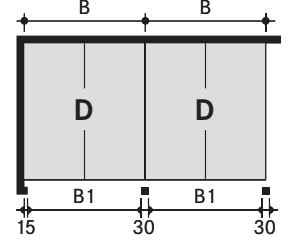


Space requirements		clear platform width
B	B1*	
260	230	230
270	240	240
<b>280</b>	<b>250</b>	<b>250</b>
<b>290</b>	<b>260</b>	<b>260</b>
<b>300</b>	<b>270</b>	<b>270</b>

Double unit (4 cars)



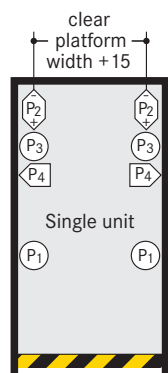
Garage rows with double doors (4 cars each)



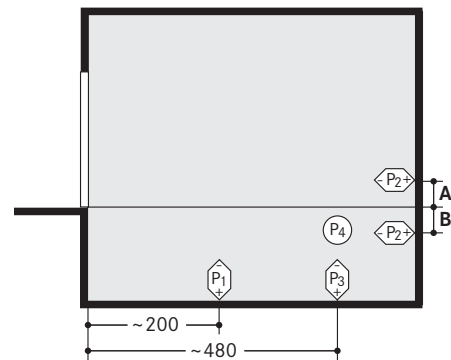
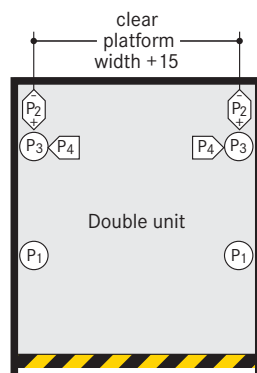
Space requirements		clear platform width
B	B1*	
490	460	460
510	480	480
<b>530</b>	<b>500</b>	<b>500</b>
<b>550</b>	<b>520</b>	<b>520</b>
<b>570</b>	<b>540</b>	<b>540</b>

\* B1 = drive-in passage width

**Static calculations and construction works requirement**



↑ Safety marking compliant to ISO 3864



P1	+ 45 kN*
	- 15 kN
P2	+ 4 kN
	- 4 kN
P3	+ 17 kN
P4	+ 3 kN

P1	+ 80 kN*
	- 30 kN
P2	+ 4 kN
	- 4 kN
P3	+ 30 kN
P4	+ 3 kN

\* specified load bearing data includes the vehicle weight

Standard type	A	B
Parklift 405-170	-	0
Parklift 405-175	-	5
Parklift 405-180	-	10
Parklift 405-185	-	15
Parklift 405-190	-	20
Parklift 405-195	-	25
Parklift 405-200	-	30

Premium type	A	B
Parklift 405-205	20	-
Parklift 405-210	15	-
Parklift 405-215	10	-
Parklift 405-220	5	-
Parklift 405-225	-	0
Parklift 405-230	-	5
Parklift 405-235	-	10
Parklift 405-240	-	15

Fixing of the system frames to the floor slab:  
 - using base plates (approx. 140 cm²)  
 - using adhesive anchor bolts  
 - hole depth to 12-14 cm  
 - concrete thickness of at least 18 cm

Concrete quality grade:  
 - compliant to the static requirements of the construction  
 - min. C20/25 grade (for dowel fastening)

Walls:  
 - front drive-in wall and rear wall in concrete  
 - perfectly flat wall surfaces  
 - without protruding sections such as border edgings, pipes and tubes, etc.

Frame bearing points:  
 - the specified lengths are expressed as mean value  
 - for the exact data, specific TÜV-tested data sheets are available

**Extra space for hydraulic power packs**

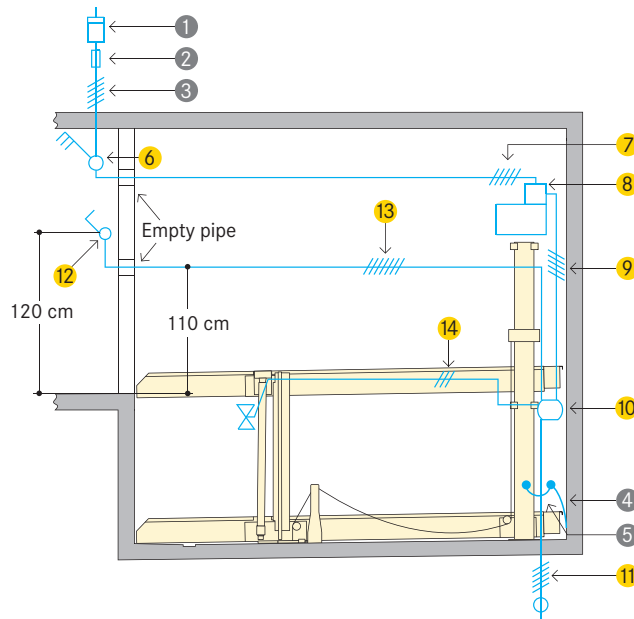
Dimensions in cm	1-5 Parklifts	6-10 Parklifts
Length:	100	150
Height:	140	140
Depth:	35	35

Hydraulic power pack placement options:

- located either on the top platform so that it moves with unit or on the wall
- where this is not possible, it is necessary to arrange for an extra space above drive-in level (i.e. for a wall recess or a niche)

**Electrical specifications**

**Installation diagram**



Cabling preparation to be performed by the customer:

- up to the main switch to be in place prior to starting the installation operations
- connection to the main switch during installation
- system functional check testing can be performed by WÖHR together with the electrician provided by the customer
- if requested at a later date, functional check testing can be performed by WÖHR at extra-cost

Grounding and potential equalisation:

- to be performed by the customer compliant to DIN EN 60204
- connections required every 10 metres

**To be performed by the customer**

Item	Quantity	Description	Position	Recurrence
1	1 piece	power meter	in the feed cable	
2	1 piece	fuse protection or automatic circuit breaker compliant to DIN VDE 0100 part 430: - 3 x 16 A slow blow for 3,0 kW power pack - 3 x 25 A slow blow for 5,5 kW power pack	in the feed cable	1 x per power pack
3	based on site conditions	compliant to local power supply regulations 3 phases + N + PE* 230/400 V, 50 Hz	feed cables to main switch	1 x per power pack
4	every 10 m	grounding and potential equalisation lead-out connection	along pit floor edges/ rear wall	
5	1 piece	grounding and potential equalisation compliant to DIN EN 60204	from lead-out connection to system	1 x per system

\* to DIN VDE 0100 sections 410 and 430 (no permanent load) 3 phases + N+ PE (three phase current)

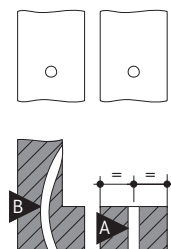
Note: for garages with doors the door manufacturer must be consulted before the electrical feed cabling is laid.

**Scope of delivery by WÖHR (unless otherwise specified)**

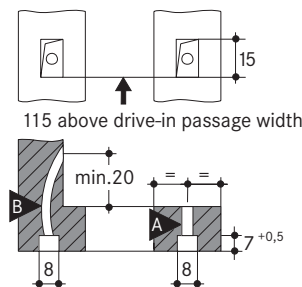
Item	Description
6	Lockable main switch
7	5 x 2,5 <sup>2</sup> PVC control cable leading from the main switch to the power pack
8	Hydraulic power pack with three-phase motor, 3.0 or 5.5 kW. Ready-wired switching cabinet with motor safety contactor
9	5 x 1,5 <sup>2</sup> PVC control cable
10	Branch connector
11	5 x 1,5 <sup>2</sup> PVC control cable lead-out to the system alongside
12	UP/down operating unit with EMERGENCY STOP. Possibly located on the left, but always out of the platform's range of movement. Cable feed-in strictly from below leading upwards (2 keys for each parking space).
13	7 x 1,5 <sup>2</sup> PVC control cable
14	3 x 1,5 <sup>2</sup> control cable for the cylinder valve lead

**Operating panel recesses and empty piping requirements**

Flush mounted



Recess mounted



**A** M20 plastic or steel-armoured piping

**B** M20 flexible, plastic-insulated piping

## Notes and directions

### Scope of application

- suitable for residential buildings, office buildings and business premises, hotels
- only for long-term users that have been instructed on how to use the system
- for frequently changing users (e.g. for office, hotel and business premises or similar):
  - only parking on top platform
  - performance of technical system adjustments is necessary
  - consultation with WÖHR is mandatory

### Noise protection

Basis is the German DIN 4109 "Noise protection in buildings".

With the following conditions required 30 dB (A) in rooms can be provided:

- noise protection package from our accessory
- insulation figure of the construction of min.  $R'_w = 57$  dB
- walls which are bordering the parking systems must be done as single wall and deflection resistant with min.  $m^2 = 300$  kg/m<sup>2</sup>

- solid ceiling above the parking systems with min.  $m^2 = 400$  kg/m<sup>2</sup>

At differing constructional conditions additional sound absorbing measures are to be provided by the customer.

The best results are reached by separated sole plates from the construction.

#### Increased noise protection:

If increased noise protection must be provided planning has to be confirmed on a project basis by WÖHR.

### Drainage

Water leaks into the pit:

- in the winter, up to 40 litres of snow water can possibly come with the wheel housings in just one parking process

Recommended drainage channels:

- along the front end sections of the pit

- connecting to a floor drain or drainage pit (50 x 50 x 20 cm)
- with manual emptying out of the drainage pit
- alternatively installation of a pump or drainage channel into the sewerage system, to be performed by the customer

Sideways slope drainage:

- only into a gutter
- not possible in the remaining pit section

Lengthways slope drainage:

- provided according to specified construction dimensions

Environmental safety:

- coating of the pit flooring is recommended
- installation of an oil and/or petrol separator unit between the drainage connection and the main sewerage system is recommended

### Temperature

- system operating range: -10° to +40°C (with unloaded platforms lowering speed is reduced if less than +5° C)
- humidity: 50% at +40°C
- in the event of changes to system conditions please consult with WÖHR

### Lighting

- sufficient lighting of the driving aisle and of the parking places must be performed by the customer

### Fire safety

- all fire safety requirements and all mandatory equipment (fire extinguisher and fire alarm systems, etc.) must be performed by the customer

### Conformity examination (TÜV)



- voluntary conformity assessment by the TÜV SÜD

The parking systems are compliant to:

- EC Machinery Directive 2006/42/EC
- DIN EN 14010

### Railings

Railings mandatory:

- when exceeding the permissible, country-specific construction gaps and openings

Safety fences mandatory:

- when walkways resp. traffic passageways running alongside or behind Parklifts and/or systems positioned along border walls
- safety fences according to DIN EN ISO 13857 to be performed by the customer (also during the construction phase)

### Maintenance

- WÖHR and all the WÖHR partners abroad provide an installation and customer service network
- regular, annual maintenance is provided subject to the stipulation of a maintenance agreement

### Prevention of corrosion damage



- all operations listed in the WÖHR Cleaning and Maintenance Instructions are to be performed regularly (independently of maintenance operations)

- zinc-plated parts, components and platforms are to be kept clean of dirt, road-salt and any other debris (due to corrosion hazards)

- always keep the garage well ventilated and deaerated

### Surface protection



- please consider the information on surface protection!

### Tender specification



- please consider the specifications!

### Parking Place-Profile



- please consider the product information Parking Place-Profile!

### Construction formalities

- the documentation necessary for construction permit applications is provided by WÖHR on demand

### Construction alterations and/or modifications

- the right to construction or model modifications and/or variations is hereby reserved
- the right to any subsequent part modification and/or variation and amendments in procedures and standards due to technical and engineering progresses or due to environmental regulation changes is also hereby reserved